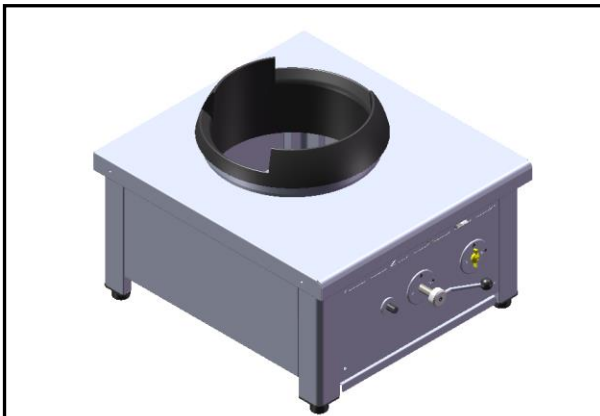




Total Food-Service Solutions

Modular Cooking – Oriental Gas Wok Table Top

NGTL 6-65 SO



*Due to routine technical improvement, the photograph shown may not represent the latest design of the products.

AVAILABLE MODEL

1. NGTL 6-65 SO

DESCRIPTION

Gas Stock Pot with Powerful 28 kW Gas Burner. Can be used as Wok Range by mounting an adapter on the cast iron griddle. Designed to be a portable appliance inside an Oriental Kitchen. Top panel is constructed from a complete one piece of cast iron pot holder. Able to be used as wok ranges by attaching wok ring adaptor. The outer front casing is made from thick stainless steel to ensure longer lifetime of the appliance.

ITEM# : _____

MODEL# : _____

NAME : _____

SN : _____

MAIN FEATURE

- Gas Setting LNG or LPG.
- Gas Safety Flame Failure Device.
- Unit is potable model.
- Diameter Pot Maximal 500 mm.
- Cast iron griddle for Pot made sure to more stable.

CONSTRUCTION

- All exterior panels is constructed of Stainless Steel.

INCLUDED ACCESSORIES

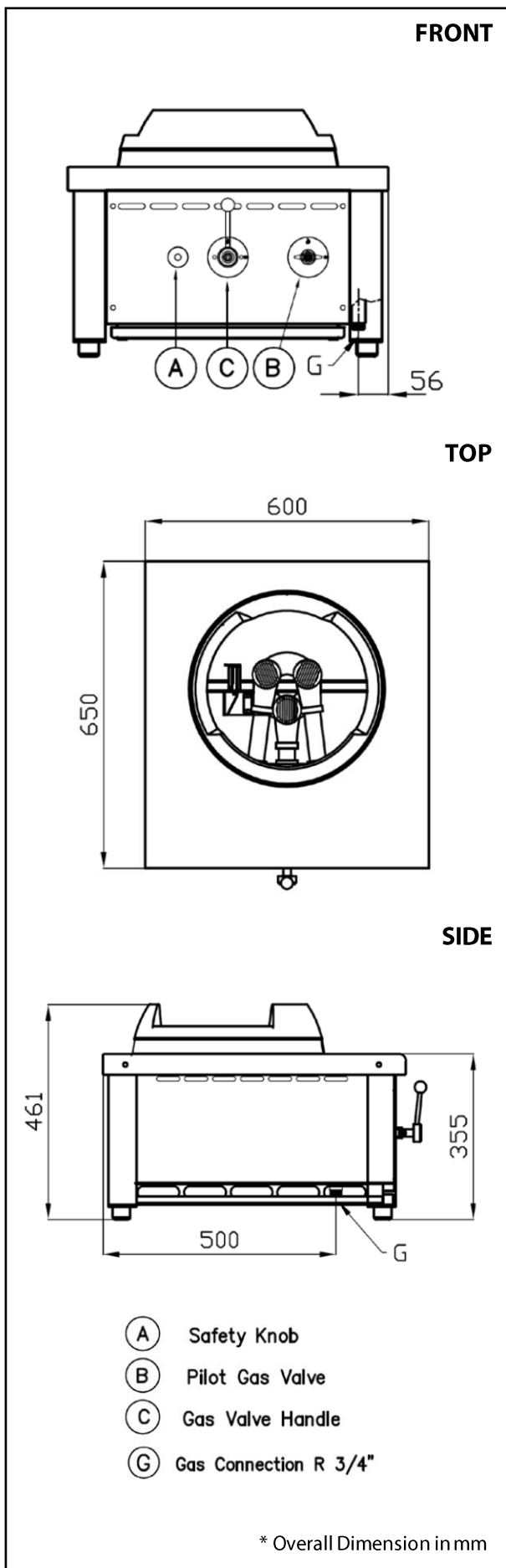
- Extra nozzle (Main burner & pilot burner).
- Ignition hand lighter.

OPTIONAL ACCESSORIES

- N/A

The company reserves the right to make modifications to the products without prior notice. All information correct at time of printing.
2019.01.10





GAS

Gas Consumption (G30)	:	28 kW (24,000 kCal/h)
Gas Type Option	:	G30/G31, G20
Gas Connection	:	3/4"
LPG Gas Pressure	:	G20 : 20 mbar G25 : 20-25 mbar G30/31 : 28-30 mbar G30/31 : 50 mbar

KEY INFORMATION

Unit dimension (WxDxH)	:	660x650x355/461 mm
Cooking Surface Wok	:	Ø 400 mm
Direct heat emission	:	7.00 kW
Latent heat emission	:	4.20 kW
Steam emission (G30)	:	7.40 kg /h
Net weight	:	52 kg

PACKING DETAILS

Shipping width	:	670 mm
Shipping depth	:	730 mm
Shipping height	:	650 mm
Shipping volume	:	0.317 m ³
Gross weight	:	62 kg

The company reserves the right to make modifications to the products without prior notice. All information correct at time of printing. 2019.01.10